

INDUSTRIAL DOORS

Industrial Door Range

INSULATED SECTIONAL
OVERHEAD DOORS

ROLLER SHUTTERS

PERSONNEL DOORS

stertil®
DOOR
P R O D U C T S



STERTIL
SUPERIOR SOLUTIONS BY
QUALITY PEOPLE

Superior solutions by quality people



The Stertil Group provides customised and technically advanced solutions for all loading bay equipment (Stertil Dock Products) and building access solutions (Stertil Door Products) as well as being market leader in heavy duty lifting equipment. Through our own service organisation, Stertil provides the best possible service available.

These superior solutions are conceived, developed and implemented by a team of professional specialists with unique expertise. Stertil's quality people make the difference in the production and installation of the products, making Stertil a worldwide leading company in loading bay equipment and industrial door solutions.

INTRODUCTION

- Stertil Door Products supply the widest range of high quality industrial doors in Britain. All are designed for reliability, safety and ease of use. They have been installed in thousands of industrial buildings all over the UK and proved in use over many years.
- Stertil Door Products doors are suitable for all industrial applications and many commercial and specialist uses such as the food industry, cold storage, showrooms etc.
- All door ranges include models providing good thermal insulation, with the increasingly important benefits of energy savings.
- Doors carry up to a 5-year warranty.

CONTROL SYSTEMS

A range of automatic or remote control systems is available for powered doors, including timed closing to save operating time and improve energy savings by reducing the open time of the door.

COMPLETE PACKAGES

In addition to doors, a complete range of loading bay equipment is available from Stertil Dock Products including dock levellers, dock seals, vehicle guides and restraints, bumpers, traffic lights and dock lights.

These can be installed as an integrated package to meet specific requirements for door operation, load handling and energy saving, with integrated control systems, providing maximum operating efficiency and safety.

SERVICE

Stertil Door Products provide a full back-up service with engineers and After Sales Technical Managers throughout the UK to provide advice, routine maintenance and emergency cover.



Industrial Door Range

INDUSTRIAL DOOR RANGE

This brochure covers sectional overhead doors, roller shutters and personnel doors. For fast-action doors, see separate literature.

THERMADOOR SECTIONAL OVERHEAD DOORS Page 4



- Provide good thermal and acoustic insulation.
- May be manual or power operated.
- Range includes models for high insulation, hygiene, fully glazed doors, dock doors and extra large doors.



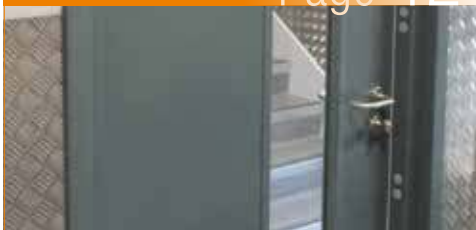
ROLLER SHUTTERS Page 8



- High quality heavy steel roller shutters providing good security.
- May be manual or power operated.
- Range includes fire-resisting (up to 240 minutes) and thermally insulated models.



STRATA PERSONNEL DOORS Page 12



- Flush steel hinged doors for pedestrian access.
- Range includes stainless steel, fire-resisting, louvered, acoustic and fully glazed models.



Thermadoor insulated sectional overhead doors



FEATURES AND BENEFITS

- Choice of insulation levels for normal applications or higher value insulation for applications where temperature control is critical.
- Powered or manual operation to suit individual requirements.
- Seals all round the door and between hinged panels ensure continuity of insulation.
- Suitable for all industrial applications including loading bays, with a range of doors to meet specific requirements.
- Robust construction and heavy duty hardware designed to give a long trouble-free working life in rigorous conditions.
- A range of track configurations is possible to suit different building layouts and headroom available.
- Range of safety features including finger protection at panel-to-panel joints.

STANDARDS

Thermadoor overhead doors meet the requirements of EN 13241-1: 2003 (equivalent to BS EN 13241-1: 2003 Industrial, commercial and garage doors and gates). Compliance is established by independent tests and assessments. Based on this standard, doors are CE marked. Wind load tests are in accordance with EN 12424. Thermal resistance calculated in accordance with EN 12428. Limitation of operation forces in accordance with EN 12453.

THERMADOOR OVERHEAD DOOR RANGE

- **640C STANDARD INSULATED DOOR RANGE** page 5
Suitable for general industrial applications.
- **680C HIGH INSULATION DOOR** page 6
For cold storage areas and other applications where it is important to maintain a stable temperature within the building or optimise thermal insulation.
- **640D LOADING BAY DOCK DOORS** page 6
Designed for loading bays and distribution centres where frequent use places higher demands on the doors and their operation. They are less liable to wear and modular in structure for lower maintenance costs and greater reliability.
- **640G FULLY GLAZED DOOR** page 7
Attractive appearance, suitable for applications where good looks or visibility are important, such as showrooms, fire and ambulance stations. These doors also provide maximum daylight in the building, which can reduce the need for artificial lighting.



640C STANDARD INSULATED DOOR

DOOR CONSTRUCTION

Door panels comprise a double skin of galvanised steel (0.5mm) insulated with polyurethane foam infill which bonds to the steel for additional strength. Panel edges are reinforced with strong galvanised steel providing a secure mounting for the wheel carriage and hinge assembly, giving improved stability and long-term operation. Guide tracks are galvanised steel, purpose-made for each door installation. A patented connector between track sections ensures that the door moves smoothly, substantially reducing operating noise and wear. Steel lifting springs and cable are used to open the door and keep it open. Uprated springs can be fitted for frequent-use doors.

FINISH

Finish: outer face polyester coated as standard in RAL colours. Inner face RAL 9002, off-white. **Options:** factory painted to any RAL colour on one or both sides. Small range of Plastisol finishes.

SIZES

Thermadoors are supplied purpose-made to sizes required.

SAFETY-STANDARD

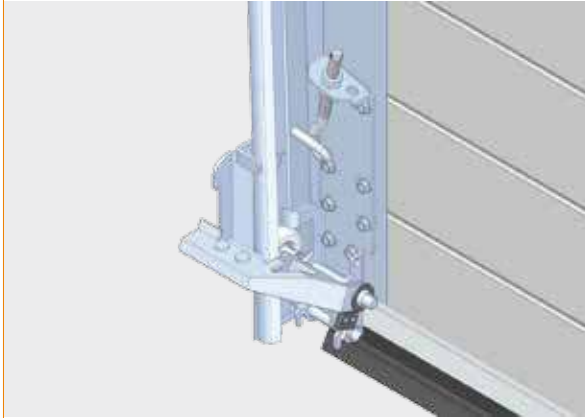
Standard safety features comply with EN 13241-1. Finger protection between panels is fitted as standard. This is obligatory for CE-marked doors up to 2.50m height (measured to pivot point of the top section). Cable break safety device: prevents the door dropping in the unlikely event of a cable breaking.

SAFETY-ADDITIONAL

Spring brake safety device prevents door from dropping suddenly if a spring breaks. Fitted to manually operated doors as standard, optional on powered doors. Slack cable safety device for powered doors. If a cable goes slack (eg if the door stops whilst the motor keeps winding) this stops the motor (recommended by Steril Door Products). For powered doors, safety edge and photocell door protection systems stop the door automatically if the doorway is obstructed while closing. Safety interlocks can be provided to a dock leveller and other loading bay equipment.

SECURITY OPTIONS

An anti-lift locking device can be fitted; optional but recommended for small doors that can be easily lifted by hand. An interlocked shoot-bolt, preventing the door being operated until the lock is disengaged, can be provided for greater security.



OPTIONAL FEATURES

Vision panels

Acrylic double-glazed panels, rectangular with a choice of square or rounded corners. Vision area can be extended across the full width of the door. Doors can alternatively be supplied with a single glazed peephole for high security buildings.

Pass doors

Can be fitted in any door including those with vision panels. These doors will have a raised threshold bar.

Side and overpanels

Matching fixed side panels and overpanels can be supplied for Thermadoor installations. These can incorporate windows, or a pass door with no threshold bar, suitable for pedestrian access and emergency exit.

OPERATION

Doors may be operated: Manually by push-up and pull cord, or by hand chain hoist. Electrically powered with activation controls to suit requirements.

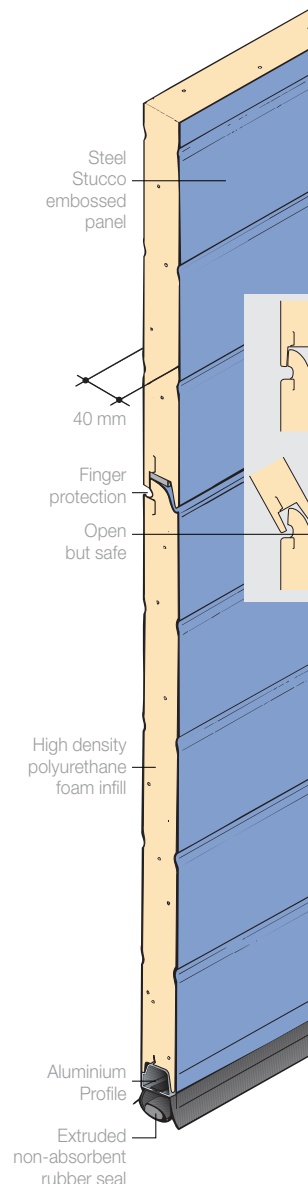
PERFORMANCE

Thermal insulation of panel

U-value 0.59 W/m²K.

Sound insulation

Sound reduction Rw 26dB.



Thermadoor insulated sectional overhead doors



680C HIGH INSULATION DOOR



The 680C door is similar in construction and features to the standard 640C door, but the panels are 80mm in thickness to incorporate extra insulation. Not available with finger protection.

FINISH

Standard colour RAL 9002 white on both faces.

PERFORMANCE

Thermal insulation of panel
U-value 0.24 W/m²K.

Sound insulation
Sound reduction Rw 28.7dB.

640D LOADING BAY DOCK DOOR



DOOR CONSTRUCTION

Construction and operation are generally as for standard 640C doors. Springs are attached to a galvanised steel box section (low level console) for ease of maintenance. Doors are fitted with high level pulleys to keep the drive cables within the door tracks and away from tampering fingers.

PERFORMANCE

Thermal as for standard doors.

INSTALLATION

Available in vertical lift or high lift.

640G FULLY GLAZED DOOR



DOOR CONSTRUCTION

Door panels comprise horizontal aluminium sections hinged together, with aluminium framed glazed panels. Door bottom section is steel. Method of operation and other features are similar to standard 640C doors.

GLAZING CHOICES

Glazed doors can have any combination of clear and opaque panels. Clear acrylic single or double glazed. Clear safety glass single or double glazed. Clear polycarbonate (impact-resistant) single or double glazed. Perforated aluminium 3mm thick, uninsulated. Aluminium panels, insulated; any RAL colour to order. Acrylic single or double glazed in opal 30% light transmission, opal 80% light transmission, pear (transparent with air bubbles), or grey tinted transparent. Safety glass single or double glazed, grey tinted. 680C is also available with quadruple glazing.

FINISH

Glazed panels are supplied in anodised aluminium but can be factory painted in any RAL colour.

PERFORMANCE

Nominal thermal insulation for installed fully glazed door;

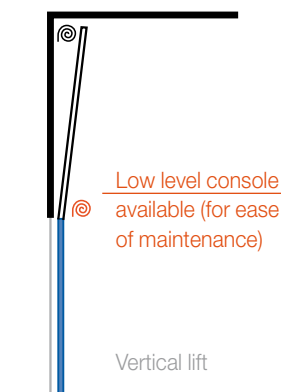
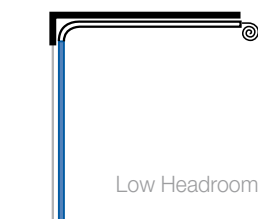
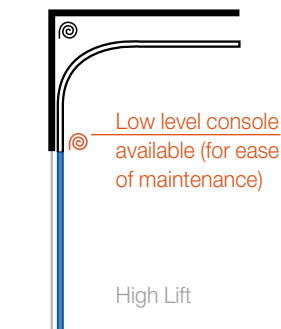
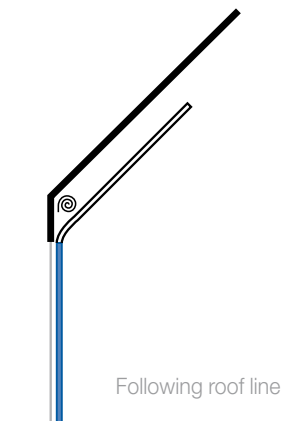
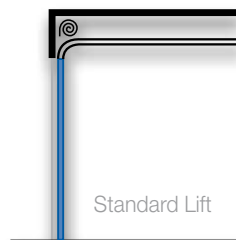
Single glazed, 5.6W/m²K.

Double glazed, 3.7W/m²K.

Single safety glass, 6.0W/m²K.

INSTALLATION

A range of track configurations is possible to suit the location.



STANDARD COLOURS FOR THERMADOOR & SHUTTER RANGE

Colours shown are print. Indications only and may not exactly match the Ral system

RAL 1021

RAL 3000

RAL 5010

RAL 6009

RAL 7016

RAL 8014

RAL 9002

RAL 9006

RAL 9007

RAL 9010



Roller shutters



FEATURES AND BENEFITS

- Provide secure protection to openings at reasonable cost.
- Space saving and simple installation; no overhead track or supports required.
- Suitable for all general industrial applications. Fire-resisting and insulated models available.
- Installation may be on the inside or outside face of the opening.

ROLLER SHUTTER RANGE

• ROLASHUTTER

Standard roller shutter

• FIRE ROLASHUTTER

Fire-resisting roller shutter

• INSUROLL

Thermally insulated roller shutter Special insulated lath design and curtain seals for maximum energy savings and quieter operation. Also provides some sound insulation. Lath design allows quick and easy repair in the event of accidental damage.

ROLASHUTTER STANDARD SHUTTER

DOOR CONSTRUCTION

Shutter curtain is interlocking galvanised mild steel laths 75mm wide, available in thicknesses of 18, 20 or 22 swg. Thickness depends on shutter size. Die-cast zinc endlocks are fitted to alternate laths. The curtain winds on to a seamless mild steel roller barrel. Barrel has self-lubricating phosphor bronze oil-impregnated bearings on shutters up to 5m x 5m; above this size, enclosed ball bearings are fitted. The curtain runs in vertical steel channel guides fixed to each side of the opening, with end stops fitted at the top.

STANDARDS

Shutters meet the requirements of EN 13241-1: 2003 and are CE marked.

SECURITY

Shoot bolts can be fitted on the inside for additional security. Chain-operated shutters can be secured by a chain keep which can also be padlocked. Pass door is normally fitted with a Yale-type lock; other locks can be supplied to order.



FINISH

Standard finish is galvanised for site painting.

Alternative finishes: Powdercoated to any BS or RAL colour to one or both sides. Plastisol to one side only with Powdercoat on other.

SIZES

Shutters are purpose-made to sizes required.

OPTIONS

Pass door. Perforated laths. For exposed situations, strengthened guides and/or wind endlocks may be fitted. Steel casing to fully enclose the roller and motor. This is a requirement on all fire-resisting shutters (excluding the motor), and is recommended on others to protect the lath hinges from dirt and grit.

OPERATION

Manual push-up, for shutters up to about 2.5m high. Higher shutters are normally operated by manual endless chain hand-wheel. Manual and chain drive shutters are counterbalanced

with helical torsion springs inside the barrel; adjustable tension is set at time of installation. All shutters may be power-operated, especially large shutters or where automatic operation or safety interlocks with other equipment are required. There are three motor types dependant on size and application:

Direct drive motor

Geared motor where sideroom is limited and

Tube motor for less industrial applications.

Direct drive motors have built-in safety bearings. Geared and Tube motors have safety bearings incorporated in the non-motor side of the barrel.

SAFETY

Safety edge and photocell door protection systems are optional on powered shutters.

Roller shutters



FIRE ROLASHUTTER

DOOR CONSTRUCTIONS

Construction and operation are similar to standard shutters. A steel casing to fully enclose the roller is a requirement on all fire-resisting shutters. Larger doors will require an additional barrel support.

FINISH

Laths, coil casing, guides and other parts hot dipped galvanised. Option: complete fire shutter can be powder coated in any BS or RAL colour.

SIZES

Fire Rolashutter tested to the following sizes: Hand chain operated 4500mm wide x 4000mm high. Power operated up to 49m² but maximum width should not exceed 9000mm.

OPERATION

Available with hand chain or powered. In the event of fire, manual shutters when released will drop under controlled descent. Available with automatic fusible link or solenoid release options.

PERFORMANCE

Fire resistance Fire resistance ratings of 60, 120 or 240 minutes, independently tested to BS 476-22: 1987, when fixed to suitable brick or concrete structure. The shutters are constructed to Warrington Fire Research Centre WARRES No. 150735, the test is in accordance with clause 8 of BS 476 Part 22:1987. For fixing to steelwork please consult Stertil Door Products for advice.

INSTALLATION AND MAINTENANCE

Correct installation and regular maintenance are essential to achieve the rated fire performance. Fire shutters must be fixed to a structure which is capable of maintaining the integrity of the shutter installation up to the rated period of fire resistance of the shutter. Stertil Door Products are registered to BS EN ISO 9002 and LPS 1197, the Loss Prevention Standard for the maintenance of fire shutters.

INSUROLL INSULATED ROLLER SHUTTER

DOOR CONSTRUCTIONS

Special interlocking lath design, galvanised steel on both faces with thermal insulating polystyrene infill. Draught protection: two brush seals on shutter guides operate on both internal and external shutter faces, plus head and threshold seals. Integral bottom weather seal. Other construction and operation similar to standard shutters.

OPTIONS

Vision panels: acrylic double glazed. Fast acting motors.

FINISH

Standard finish galvanised finish for site painting. Option: Powdercoat or Colourcoat Plastisol finish to one or both faces in any BS or RAL colour.

SIZES

Up to 40m².

OPERATION

Power operation is standard.

PERFORMANCE

Thermal insulation U-value 1.4 W/m²K
Sound insulation Sound reduction Rw 18dBA



Strata Personnel Doors



FEATURES AND BENEFITS

- Flush steel personnel doors for all general industrial applications.
- Range of models for different requirements.
- Special configurations, sizes and finishes available, consult Steril Door Products.

STRATA PERSONNEL DOORS RANGE

STANDARD DOOR

Flush steel door for general applications.

FIRE-RESISTING DOOR

Fire resistance up to 240 minutes. Offers substantial benefits in strength, security and durability.

HIGH SECURITY DOOR

Provides higher security where required.

FULLY LOUVRED DOOR

Provides ventilation, eg for plant rooms.

STANDARD DOOR

DOOR CONSTRUCTION

Standard external flush steel door leaf of 1.2mm corrosion-resistant Zintec (electro-zinc coated steel) or Aluzinc (aluminium/zinc coated steel) sheet. Fabricated from two sheets lockformed together around the core; non-welded construction.

Resin-impregnated rigid honeycomb core. Doors incorporate a flush mounted security Astragal detail.

Other options: mineral wool or solid wood core.

Thickness: 54mm.

Door frame: folded 1.6mm Zintec or Aluzinc. Four adjustable fixing points per jamb. Subframe supplied as standard to accommodate site tolerances of 0/+30mm. Fitted with four stainless steel hinges and two security bolts. Threshold 15mm rebated, material as frame.

Options: 5mm drivable (DDA compliant), 12.5mm aluminium (DDA compliant), or none.

FINISHES

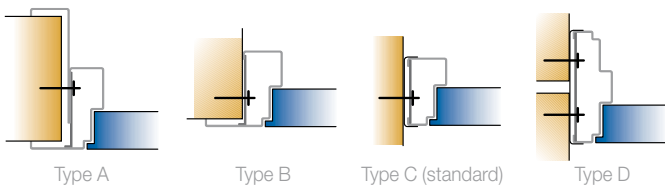
Standard: grey primed steel for site painting.

Options: Polyester powder coating, in standard colours.

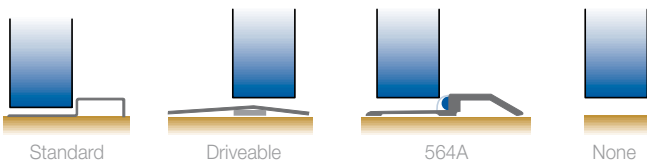
PVC laminate from standard range.

THE FOLLOWING FRAMES AND THRESHOLDS ARE AVAILABLE:

DOOR FRAMES (external doors shown)



THRESHOLDS



Fire Door Panic Bar

Option of outside access by key or mechanical keypad.

IRONMONGERY

Wide selection of mortice locks and latches including deadlocks, nightlatch and multipoint locking. Additional locks can be fitted. Lever or pull handles. Lock cases tested to BS EN 12209 and lever furniture to BS 1906.

Options: mechanical keypad, electric strike, electromagnet lock (surface or concealed mounting). Panic escape hardware: numerous options for emergency application to EN 179 (where doors are not intended for use by the public, typically in workplaces) or panic application to EN 1125 (where doors are used by the public).

SIZES

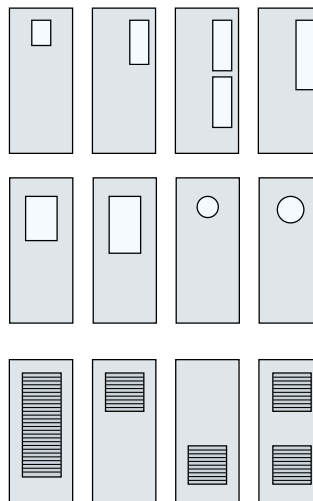
Custom-made to sizes required in 10mm increments.

Width for single doors: 690mm to 1390mm, double doors: 1290mm to 2600mm. Height: up to 2900mm.

CONFIGURATIONS

Doors available single or double, and with side panels, overpanels, louvre panels. Side and over panels may be flush steel as the door, glazed or louvred, and may also be hinged or removable. Vision panels Vision panels are steel framed. Standard glazing is 6.4mm clear laminated glass. Options include: 6mm Georgian Wired Polished Plate (GWPP) or 24.4mm double glazing (6.4/12/6mm laminated glass). Other sizes to order.

THE FOLLOWING DOOR PANELS ARE AVAILABLE:



Vision panels

Vision panels are steel framed. Standard glazing is 6.4mm clear laminated glass. Options include: 6mm Georgian Wired Polished Plate (GWPP) or 24.4mm double glazing (6.4/12/6mm laminated glass). Other sizes to order.

Louvre panels

Doors can be supplied with louvred panels. Standard louvre offers 50% airflow and prevents bird ingress. Insect mesh available as an extra.

Strata Personnel Doors



STAINLESS STEEL DOOR

DOOR CONSTRUCTION

Door leaf fabricated from 1.2mm stainless steel sheet. Standard steel grades are 304, or 316 for corrosive areas eg marine and chemical exposure. Frame and threshold are of the same steel. Other features are generally as for standard door. Vision panels and configurations are as for the standard door.

FINISH

Stainless steel: brushed, polished or patterned; range of colours available.

SIZES

As for standard door.

FIRE-RESISTING DOOR

DOOR CONSTRUCTION

For fire rating up to 120 minutes construction is as standard internal door. For fire rating of 240 minutes construction is as standard external door (Astragal optional). Frame, threshold and vision panels are all generally as for standard door.

FINISH

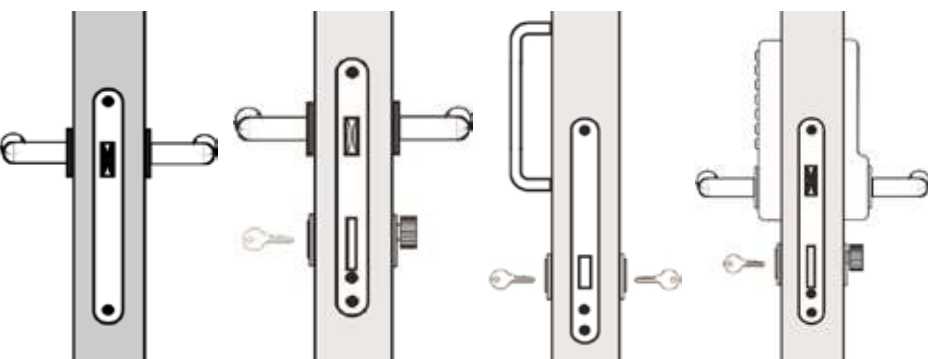
As for standard door.

SIZES

As for standard door.

PERFORMANCE

Fire-resisting doors provide fire resistance as follows: FD60 up to 60 minutes, unlatched. FD120 up to 120 minutes, unlatched. FD240 up to 240 minutes, unlatched. Based on independent tests to BS 476-22 and BS EN 1634. Smoke protection as standard.





FULLY LOUVRED DOOR

DOOR CONSTRUCTION

General details of construction are as for the standard door. Louvre blades are 1.2mm steel at 45° and at 50mm centres within a 50mm deep steel angle frame, mounted on a box section subframe for rigidity. Options: galvanised steel bird and vermin mesh. Door and frame are also available in stainless steel. Frame, threshold, finishes, sizes are all as for standard door.

HIGH SECURITY DOOR

DOOR CONSTRUCTION

Door and frame construction is similar to that of standard doors but details are varied to provide greater security.

SECURITY

Doors can be provided with Class 2, 3 or 4 security to European security standard ENV 1627, as demonstrated by independent tests. These tests involve application of static and dynamic loads and practical burglary attempts with different tools. Also available to Loss Prevention Standard LPS 1175 and secured by design pas 24 certified; more details available on request.

ACOUSTIC DOOR

DOOR CONSTRUCTION

Door and frame construction is similar to that of standard doors, but modified and custommade to achieve high levels of sound insulation with different frame details and acoustic seals. Door leaf of corrosion-resistant Zintec or Aluzinc sheet. Stainless steel also available. Thickness varies from 54mm to 100mm depending on acoustic rating.

FINISH

Pre-primed steel (grey) for site painting. Option: polyester powder coating from standard colour range.

SIZES

Custom-made to sizes required in 10mm increments. Width for single doors: 690mm to 1200mm, double doors: 1290mm to 2400mm. Height: up to 2700mm.

PERFORMANCE

Acoustic doors can provide sound insulation R_w from 22dB to 50dB, based on independent tests to BS EN ISO 140-3: 1995 and calculated to BS EN ISO 717-1: 1997. Sound insulation is achieved by varying infill of leaf and frame details; the higher levels require custom-made doorsets with special frames and acoustic seals.



STANDARD COLOURS FOR STRATA DOOR RANGE

BS 04 E 53
Poppy Red

BS 08 B 29
Vandyke Brown

BS 10 A 05
Goosewing Grey

BS 12 B 27
Olive Green

BS 18 B 25
Merlin Grey

BS 18 E 53
Solent Blue

RAL 3004
Burgundy

RAL 5003
Britannia Blue

RAL 5010
Royal Blue

RAL 6002
Heritage Green

RAL 9005
Black

RAL 9006
Metallic Silver

RAL 9016
White





SERVICES

SELECTION AND ADVICE

Technical representatives are available throughout the UK to discuss your requirements and advise on suitable door types. Contact us at the address below or use our online enquiry form at: www.stertil.co.uk

INSTALLATION AND MAINTENANCE

Detailed installation drawings and technical specifications can be supplied in hard copy, on CD-ROM or by email on request. Doors are installed by our own fully trained and experienced engineers, based throughout the UK. We can offer contracts for regular planned maintenance, as well as a 24-hour emergency repair service.

5-YEAR WARRANTY

Our confidence in our product quality and service is demonstrated by our offer of a 5-year warranty.

STERTIL DOCK PRODUCTS & LOADING BAY EQUIPMENT INCLUDES:


- Dock Shelters & Seals
- Dock Levellers
- Vehicle Restraint Systems COMBILOK®
- Other Dock Equipment e.g. Traffic Lights, Bumpers, Wheel Guides
- Scissor Lift Tables

STERTIL DOOR PRODUCT RANGE INCLUDES:

- FlexiEdge Fast Action Industrial Doors
- Rapid Roll Fast Action Industrial Doors
- Thermador Sectional Industrial Doors
- Roller Shutters
- Personnel Doors



Stertil UK Ltd.
 Stertil House, Unit A
 Brackmills Business Park
 Caswell Road, Northampton, NN4 7PW
 Tel. 0870 770 0471
info@stertil.co.uk
www.stertil.co.uk
 f Stertil Dock Products
 @Stertil

 A member of the Stertil Group

Industrial doors GB 08-2016. Stertil is a registered trademark of Stertil B.V.. We reserve the right to make changes in specifications without notice and without making changes retroactive.